

eLucent™

RX Series LED Lamps



(not supplied)

Save energy has never been so easy!

Dimmable High Power LED Lamps — eLucent™

RX Series LED Lamps

eLucent™ RX Series LED Lamps, are dimmable retrofit solutions for incandescent lamps and CFL lamps.

The dimmable function enables saving energy to be so easy, which makes eLucent™ RX Series warmly-welcomed by home, retail, commercial, and hospitality applications.

The large aluminum housing is the perfect shape for optimal heat dissipation and ensures long life-span.

eLucent™ R30X is equivalent up to a 75 watt incandescent, and eLucent™ R38X is equivalent up to a 100 watt incandescent, but uses up to 90% less energy and lasts up to 50 times longer.

eLucent™ RX Series contain no hazardous substances (e.g. lead, mercury), totally pollution and poisoning free.

Features

Dimmable on all standard commercial dimmers;
Ultra energy efficient, up to 90% energy-saving;
Optimal heat dissipation with special-designed aluminum housing;
No mercury, lead, less CO₂ emission, eco-friendly to the environment;
No UV, infrared output, no harmful to human body;
High shock and vibration resistant with durable aluminum housing;

Solid-state, fast turn on;
Less heat output, no heat damage;
Easily installed into standard fitting;
Longevity of service and minimal maintenance.

Recommended Applications

General and down lighting for home, retail, commercial, and hospitality applications.

YOUR WISE CHOICE: eLucent™ RX Series

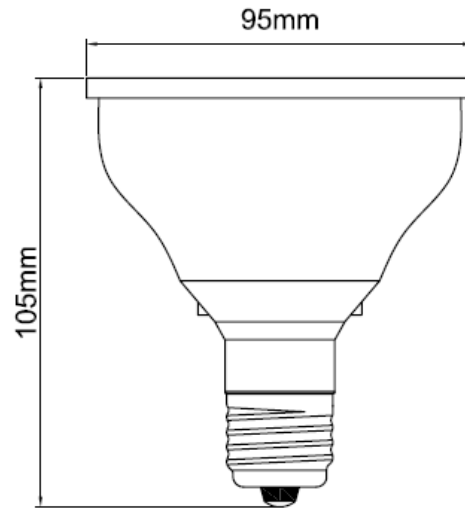
	eLucent™ R30X	Conventional incandescent lamps
Power Consumption	9W	75W
Life Span	50,000 hours	1,000 hours
CO ₂ emission	Low	High
Heat Damage	No	High
Radiation	No	UV, FR
Resistant to shock and vibration	Durable, Aluminum Housing	Low, Fragile Glass
Maintenance Fees	No	High
Energy cost for 50,000 hours (US\$0.25/kWh)	US\$112.5/pcs	US\$937.5/pcs
Energy saving for 50,000 hours	US\$825/pcs	
Up to 90% energy saving!		

eLucent™ R30X

Part Numbers

Part Number	Description	Unit
HSL-PX07N-302200-H1	eLucent R30X, PAR30, 7LEDs*1W, Natural White, E27, 120VAC, 45 degree, Dimmable	PCs
HSL-PX07N-302200-H2	eLucent R30X, PAR30, 7LEDs*1W, Natural White, E27, 240VAC, 45 degree, Dimmable	PCs

Physical Dimensions



Technical Specifications

Physical Specifications

Base	E27
Dimension	D95*H105 mm
Housing	Aluminum
Work Environment	Indoor use, applicable for dry environment

Electrical Specifications

Lighting Source	1W High Power LED
LED Quantity	7LEDs
Operation Voltage	120VAC/240VAC
Power Consumption	9 W (incl. driver)
Operation Temperature	-20°C~40°C (-4°F~104°F)

Optical Specifications

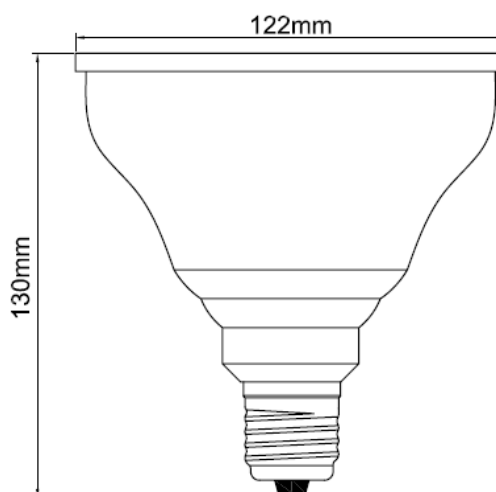
Color Range	White
Dimmable	Yes
Lumens	550~600 lm
CRI	>75
Beam Angle	45 Degree
Lumen Maintenance	>99% @ 1000hrs
Color Temperature	5500-6000K

eLucent™ R38X

Part Numbers

Part Number	Description	Unit
HSL-PX12N-382200-H1	eLucent R38X, PAR38, 12LEDs*1W, Natural White, E27, 120VAC, 45 degree, Dimmable	PCs
HSL-PX12N-382200-H2	eLucent R38X, PAR38, 12LEDs*1W, Natural White, E27, 240VAC, 45 degree, Dimmable	PCs

Physical Dimensions



Technical Specifications

Physical Specifications

Base	E27
Dimension	D122*H130 mm
Housing	Aluminum
Work Environment	Indoor use, applicable for dry environment

Electrical Specifications

Lighting Source	1W High Power LED
LED Quantity	12LEDs
Operation Voltage	120VAC/240VAC
Power Consumption	15.8 W (incl. driver)
Operation Temperature	-20°C~40°C (-4°F~104°F)

Optical Specifications

Color Range	White
Dimmable	Yes
Lumens	950~1100 lm
CRI	>75
Beam Angle	45 Degree
Lumen Maintenance	>995% @ 1000hrs
Color Temperature	5500-6000K