



# eLucent™

## N Series RGB XPower LED Lamps



eLucent™ N Series RGB XPower LED Lamps are intelligent digital lighting solutions. They can create vivid lighting shows or desired brightness via a compact yet powerful remote, and can also be easily synchronized between multiple fixtures.

eLucent™ N Series is available in two models: stand-alone and master-slave. The stand-alone model can work along with remote and change colors or brightness accordingly. The master-slave model includes one master lamp and multiple slave lamps; they change colors or brightness synchronously via inline data communication between lamps. They are available in E27, MR16 and GU10 bases, and can be drop directly into existing sockets.

The remote shall be ordered along with eLucent™ N Series; the user can choose certain preprogrammed lighting shows, including 18 patterns of solid colors, 4 patterns of color-changing, 4 levels of brightness, or achieve power on/off and lock/unlock purpose.

eLucent™ N Series are the ideal solution for bars, stores, casinos, restaurants, hotels, galleries, malls, exhibitions and many other amusement places.



**Features & Benefits:**

Consist of ultra bright LEDs in high intensity and can emit higher brightness at lower cost;

Long life span of more than 50,000 hours with little heat, proper drive characteristics and high quality LEDs;

High shock/vibration and moisture resistant;

Save energy and maintenance cost, major reduction in

heat generation;

Easily installed into existing socket.

**Recommended Applications:**

Decoration lighting for bars, stores, casinos, restaurants, hotels and many other amusement places;

Display lighting for shop windows, store counters, galleries, malls, exhibitions etc.

**eLucent™ N Series for Decoration Lighting**



If you want dramatic decorative lighting, eLucent™ N Series RGB XPower LED Lamps might be just the thing. With four color-changing mode and 18 different colors, it is ideal to accessorize your homes, bars, casinos, restaurants, hotels, malls and many amusement places. Just enjoy the dances of changing color and transform the mood.



## eLucent™ N Series for Display Lighting



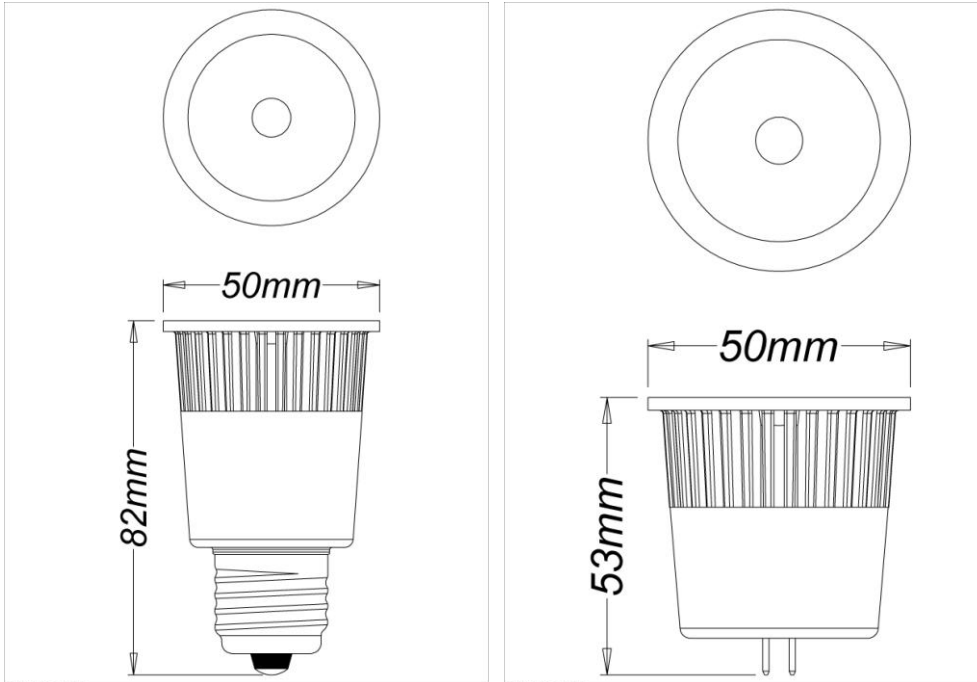
Are you puzzled that your products are of good quality while your selling is not so ideal? Most probably the reason is that you articles are shown by wrong display light. eLucent™ N Series provide vivid color-changing light effect with 4 color-changing mode. You can easily draw the attentions of your potential customers to the articles in your shops, stores, museums, galleries, malls, exhibitions etc.



## Part Numbers:

Part Number	Description	Unit
HSL-2001T-05A340-H0	1LEDs*5W, E27, 120VAC/240VAC, 68 degree	pcs
HSL-1001T-05A340-L1	1LEDs*5W, MR16, 12VDC, 68 degree	pcs

## Physical Dimensions



## Technical Specifications

### Physical Specifications

Base	E27/MR16
Work Environment	applicable for dry environment

### Electrical Specifications

Lighting Source	5 W High Power LED
LED Quantity	1 LED
Operation Voltage	120VAC/240VAC or 12VAC/VDC
Operation Current	<600mA
Power Consumption	5 W
Operation Temperature	-20°C~50°C (-4°F~122°F)
Controll System	Remote Controller ( Part Number: HCD-00010-000000-RL)

**Optical Specifications**

Color Range	RGB
Lumens	95lm
Efficiency	13.57lm/W
Beam Angle	68 Degree
Lumen Maintenance	>95%@1000hrs
Color Temperature	3000K-6500K

**Comparison between ATG Electronics® eLucent™ N Series RGB XPower LED Lamps with Halogen Lamp**

	eLucent™ N Series	Halogen Lamp
Power Consumption	Low	High
Life Span	>50,000 hours	3,000~5,000 hours
Directed Light	Yes	No
Heat Generation	Low	High
Radiation	No	UV, FR or mercury
Resistant to shock and vibration	High	Low
Maintenance Fees	No	High
Environmental Pollution	No	High